

# SV06DNS SCISSOR LIFTS



SV06DNS provides high performance with proportional steering system at working sites.

SV06DNS achieves long duty cycle and battery power saving with AC motor drive.

## 1

### LONG DUTY CYCLE

AC Driving Motor improves duty cycle by \*150% more as compared to our previous similar model (SV-B Series).

In addition, the Brushless motor will contribute to reducing the running cost.

(\* Above was measured by Aichi standard.)

## 2

### SMOOTH STEERING SYSTEM

Proportional Steering Control System offers smooth operation.

Joystick Controller. (Optional)

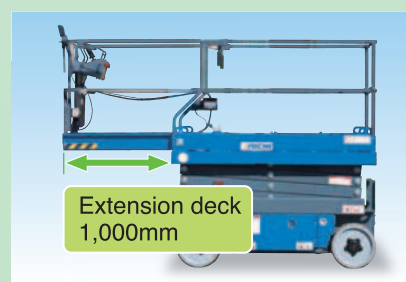
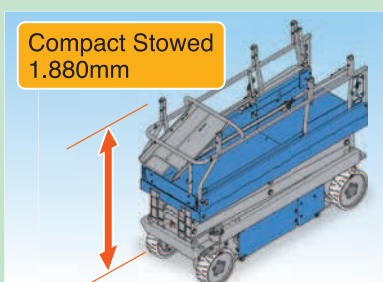


## 3

### COMPACT BODY & LARGE PLATFORM

Compact Stowed position with Fold Down Guardrail

1.78m Platform length plus Extension deck (1.0m)



STANDARD COLOR (Blue)  
\*OPTIONAL DEVICES

# 4

## IMPROVED SERVICE ABILITY OF MAINTENANCE



### ■ WIDE RANGE OF CHARGING VOLTAGE

AC100-240V can be used.



### ■ SLIDE-OUT TRAY

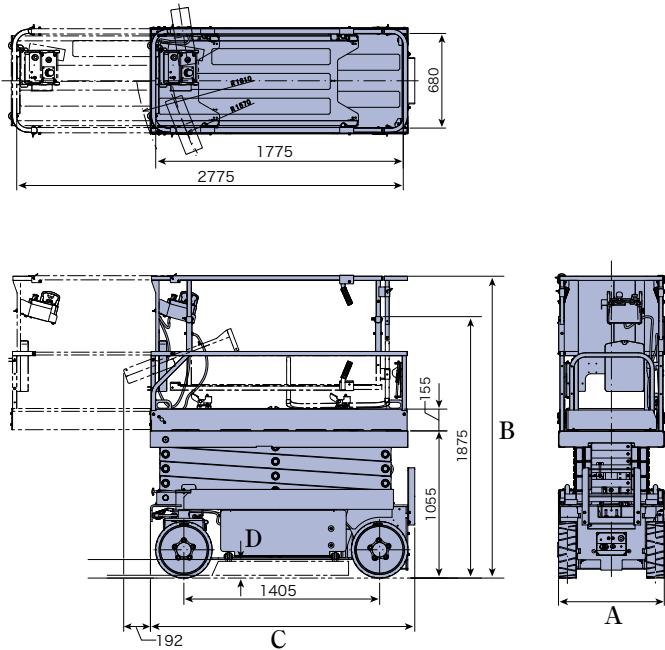
Battery maintenance can be performed by slide-out tray.



### ■ EASY ACCESS TO MAJOR COMPONENT

Swing-out tray enables easy access to major components for maintenance and repair.

## DIMENSIONS



## SPECIFICATIONS

|   |                                |
|---|--------------------------------|
| <b>● MODEL</b>                                      |                                |
|   | SV06DNS                        |
| <b>● PLATFORM</b>                                   |                                |
| Platform Capacity                                   | 230kg                          |
| Platform Extension                                  | 1.0m                           |
| Extension Deck Capacity                             | 120kg                          |
| Platform Height-Elevated                            | 5.8m                           |
| Platform Height-Lowered                             | 1.06m                          |
| Platform Size                                       | 1.78m × 0.68m × 1.1m           |
| <b>● LIFT &amp; LOWER SYSTEM</b>                    |                                |
| Type  | 4 scissors link                |
| Lifting / Lowering Time                             | 25sec                          |
| <b>● POWER SYSTEM</b>                               |                                |
| Batteries   | 24V DC (4units of 6V 185Ah)    |
| Tyre Type   | Solid non-marking              |
| <b>● TRAVEL DEVICE</b>                              |                                |
| Speed   | Max 4.5km/stowed, 0.8km/lifted |
| Gradeability  | 25% (14degree)                 |
| <b>● DIMENSION</b>                                  |                                |
| A Overall Width                                     | 0.76m                          |
| B Overall Height                                    | 2.16m                          |
| C Overall Length                                    | 1.90m                          |
| D Ground Clearance                                  | 0.13m/stowed, 0.02m/pot hole   |
| Vehicle Weight                                      | 1,500kg                        |
| Vehicle Weight (CE)                                 | 1,640kg                        |
| <b>● OPTIONS</b>                                    |                                |
| Joystick Controller, Working Light, Flashing Beacon |                                |

\*Standards Compliance ANSI, CE, KC-Mark  
 \*Specifications are subject to change without notice.

**AICHI CORPORATION**  
 Overseas Marketing & Sales Department  
<http://www.aichi-corp.jp/english/>

## DISTRIBUTORS